

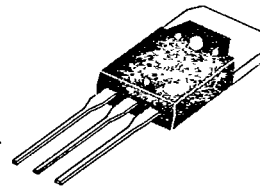
## IRFP250/251/252/253

N-CHANNEL  
POWER MOSFETS

## FEATURES

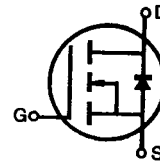
- Low  $R_{DS(on)}$
- Improved inductive ruggedness
- Fast switching times
- Rugged polysilicon gate cell structure
- Low input capacitance
- Extended safe operating area
- Improved high temperature reliability
- TO-3P package

TO-3P



## PRODUCT SUMMARY

Part Number	$V_{DS}$	$R_{DS(on)}$	$I_D$
IRFP250	200V	0.085 $\Omega$	30A
IRFP251	150V	0.085 $\Omega$	30A
IRFP252	200V	0.12 $\Omega$	25A
IRFP253	150V	0.12 $\Omega$	25A



## MAXIMUM RATINGS

Characteristic	Symbol	IRFP250	IRFP251	IRFP252	IRFP253	Unit
Drain-Source Voltage (1)	$V_{DSS}$	200	150	200	150	Vdc
Drain-Gate Voltage ( $R_{GS}=1.0M\Omega$ ) (1)	$V_{DGR}$	200	150	200	150	Vdc
Gate-Source Voltage	$V_{GS}$	$\pm 20$				Vdc
Continuous Drain Current $T_C=25^\circ C$	$I_D$	30	30	25	25	Adc
Continuous Drain Current $T_C=100^\circ C$	$I_D$	19	19	16	16	Adc
Drain Current—Pulsed (3)	$I_{DM}$	120	120	100	100	Adc
Gate Current—Pulsed	$I_{GM}$	$\pm 1.5$				Adc
Total Power Dissipation @ $T_C=25^\circ C$	$P_D$	150				Watts W/ $^\circ C$
Derate above $25^\circ C$		1.2				
Operating and Storage Junction Temperature Range	$T_J, T_{stg}$	-55 to 150				$^\circ C$
Maximum Lead Temp. for Soldering Purposes, 1/8" from case for 5 seconds	$T_L$	300				$^\circ C$

Notes: (1)  $T_J=25^\circ C$  to  $150^\circ C$ (2) Pulse test: Pulse width  $\leq 300\mu s$ , Duty Cycle  $\leq 2\%$ 

(3) Repetitive rating: Pulse width limited by max. junction temperature

## IRFP250/251/252/253

N-CHANNEL  
POWER MOSFETSELECTRICAL CHARACTERISTICS (T<sub>C</sub>=25°C unless otherwise specified)

Characteristic	Symbol	Type	Min	Typ	Max	Units	Test Conditions
Drain-Source Breakdown Voltage	BV <sub>DSS</sub>	IRFP250 IRFP252	200	—	—	V	V <sub>GS</sub> =0V
		IRFP251 IRFP253	150	—	—	V	I <sub>D</sub> =250μA
Gate Threshold Voltage	V <sub>GS(th)</sub>	ALL	2.0	—	4.0	V	V <sub>DS</sub> =V <sub>GS</sub> , I <sub>D</sub> =250μA
Gate-Source Leakage Forward	I <sub>GSS</sub>	ALL	—	—	100	nA	V <sub>GS</sub> =20V
Gate-Source Leakage Reverse	I <sub>GSS</sub>	ALL	—	—	-100	nA	V <sub>GS</sub> =-20V
Zero Gate Voltage Drain Current	I <sub>DSS</sub>	ALL	—	—	250	μA	V <sub>DS</sub> =Max. Rating, V <sub>GS</sub> =0V
			—	—	1000	μA	V <sub>DS</sub> =Max. Rating×0.8, V <sub>GS</sub> =0V, T <sub>C</sub> =125°C
On-State Drain-Source Current (2)	I <sub>D(on)</sub>	IRFP250 IRFP251	30	—	—	A	V <sub>DS</sub> >I <sub>D(on)</sub> ×R <sub>DS(on) max.</sub> , V <sub>GS</sub> =10V
		IRFP252 IRFP253	25	—	—	A	
Static Drain-Source On-State Resistance (2)	R <sub>DS(on)</sub>	IRFP250 IRFP251	—	0.07	0.085	Ω	V <sub>GS</sub> =10V, I <sub>D</sub> =16A
		IRFP252 IRFP253	—	0.09	0.120	Ω	
Forward Transconductance (2)	g <sub>fs</sub>	ALL	8.0	12.5	—	S	V <sub>DS</sub> >I <sub>D(on)</sub> ×R <sub>DS(on) max.</sub> , I <sub>D</sub> =16A
Input Capacitance	C <sub>iss</sub>	ALL	—	2640	3000	pF	V <sub>GS</sub> =0V, V <sub>DS</sub> =25V, f=1.0MHz
Output Capacitance	C <sub>oss</sub>	ALL	—	800	1200	pF	
Reverse Transfer Capacitance	C <sub>rss</sub>	ALL	—	300	500	pF	
Turn-On Delay Time	t <sub>d(on)</sub>	ALL	—	—	35	ns	V <sub>DD</sub> =0.5BV <sub>DSS</sub> , I <sub>D</sub> =2.5A, Z <sub>O</sub> =15Ω (MOSFET switching times are essentially independent of operating temperature)
Rise Time	t <sub>r</sub>	ALL	—	—	100	ns	
Turn-Off Delay Time	t <sub>d(off)</sub>	ALL	—	—	125	ns	
Fall Time	t <sub>f</sub>	ALL	—	—	100	ns	
Total Gate Charge (Gate-Source Plus Gate-Drain)	Q <sub>g</sub>	ALL	—	68	120	nC	V <sub>GS</sub> =10V, I <sub>D</sub> =38A, V <sub>DS</sub> =0.8 Max. Rating (Gate charge is essentially independent of operating temperature.)
Gate-Source Charge	Q <sub>gs</sub>	ALL	—	18	—	nC	
Gate-Drain ("Miller") Charge	Q <sub>gd</sub>	ALL	—	50	—	nC	

## THERMAL RESISTANCE

Junction-to-Case	R <sub>thJC</sub>	ALL	—	—	0.83	K/W	
Case-to-Sink	R <sub>thCS</sub>	ALL	—	0.1	—	K/W	Mounting surface flat, smooth, and greased
Junction-to-Ambient	R <sub>thJA</sub>	ALL	—	—	80	K/W	Free Air Operation

Notes: (1) T<sub>J</sub>=25°C to 150°C

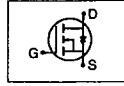
(2) Pulse test: Pulse width≤300μs, Duty Cycle≤2%

(3) Repetitive rating: Pulse width limited by max. junction temperature

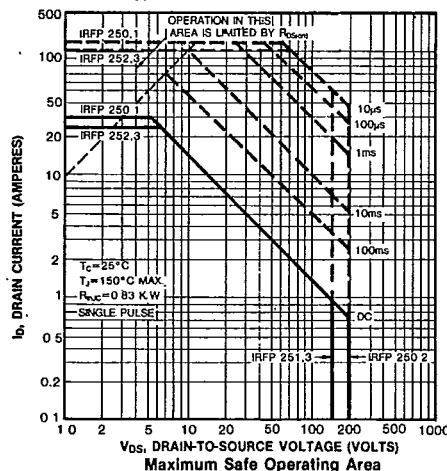
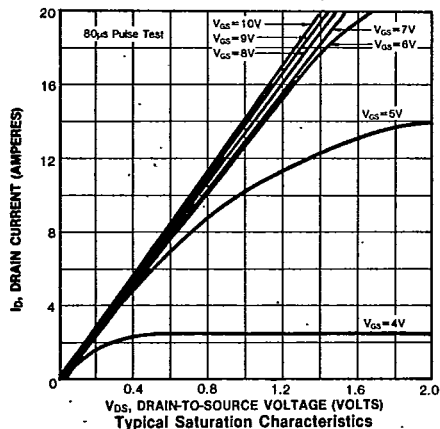
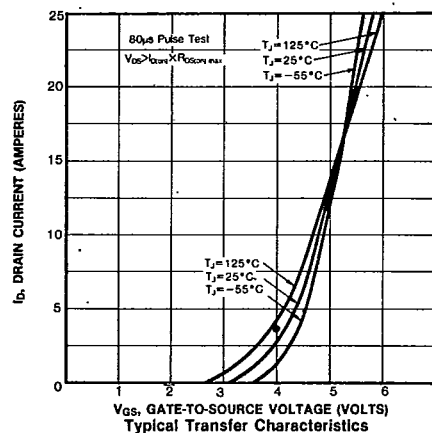
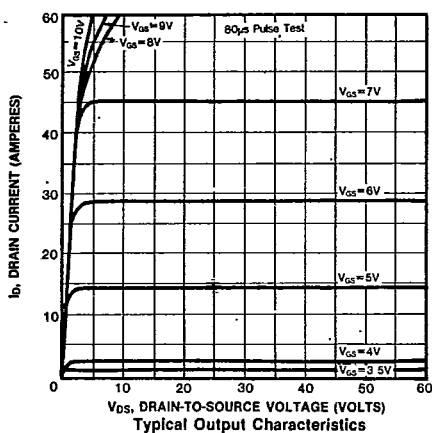


IRFP250/251/252/253

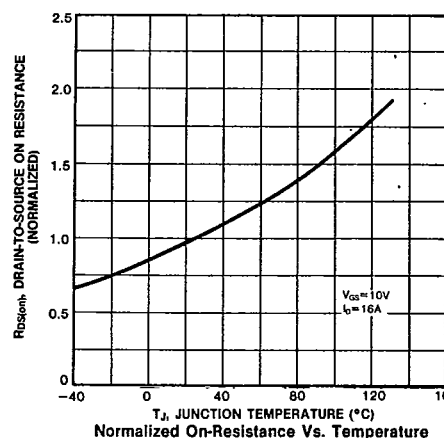
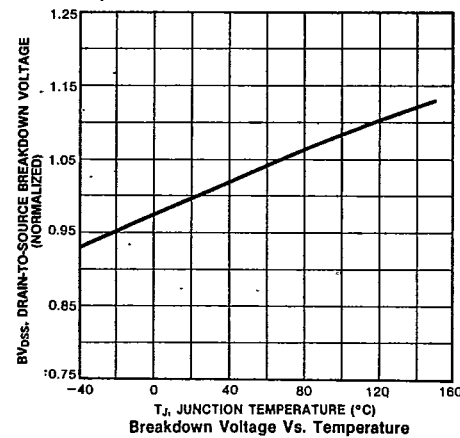
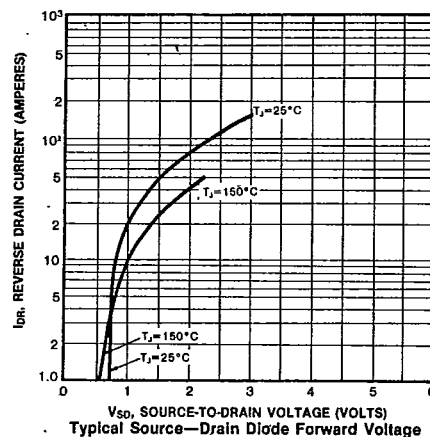
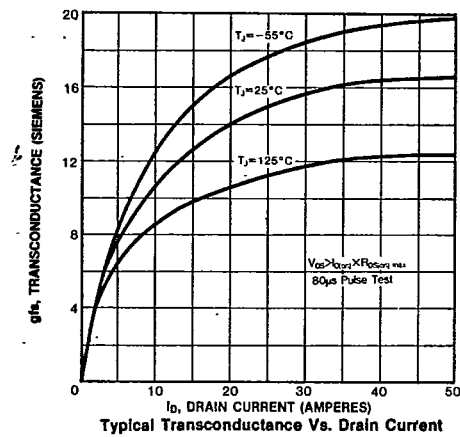
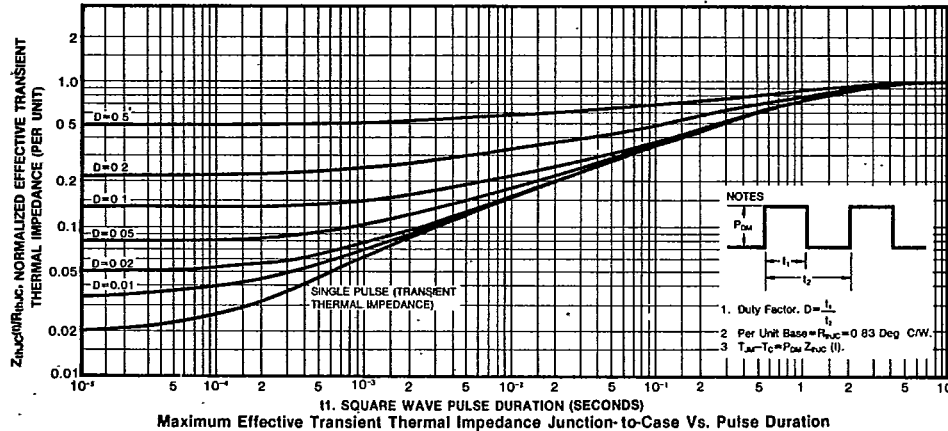
SOURCE-DRAIN DIODE RATINGS AND CHARACTERISTICS

Characteristic	Symbol	Type	Min	Typ	Max	Units	Test Conditions
Continuous Source Current (Body Diode)	$I_S$	IRFP250	—	—	30	A	Modified MOSFET symbol showing the integral reverse P-N junction rectifier 
		IRFP251	—	—	30	A	
		IRFP252	—	—	25	A	
		IRFP253	—	—	25	A	
Pulse Source Current (Body Diode) (3)	$I_{SM}$	IRFP250	—	—	120	A	
		IRFP251	—	—	120	A	
		IRFP252	—	—	100	A	
		IRFP253	—	—	100	A	
Diode Forward Voltage (2)	$V_{SD}$	IRFP250	—	—	2.0	V	$T_C=25^\circ\text{C}$ , $I_S=30\text{A}$ , $V_{GS}=0\text{V}$
		IRFP251	—	—	2.0	V	$T_C=25^\circ\text{C}$ , $I_S=30\text{A}$ , $V_{GS}=0\text{V}$
		IRFP252	—	—	1.8	V	$T_C=25^\circ\text{C}$ , $I_S=25\text{A}$ , $V_{GS}=0\text{V}$
Reverse Recovery Time	$t_{rr}$	ALL	—	750	—	ns	$T_J=150^\circ\text{C}$ , $I_F=30\text{A}$ , $dI_F/dt=100\text{A}/\mu\text{s}$

Notes: (1)  $T_J=25^\circ\text{C}$  to  $150^\circ\text{C}$  (2) Pulse test: Pulse width  $\leq 300\mu\text{s}$ , Duty Cycle  $\leq 2\%$   
(3) Repetitive rating: Pulse width limited by max. junction temperature



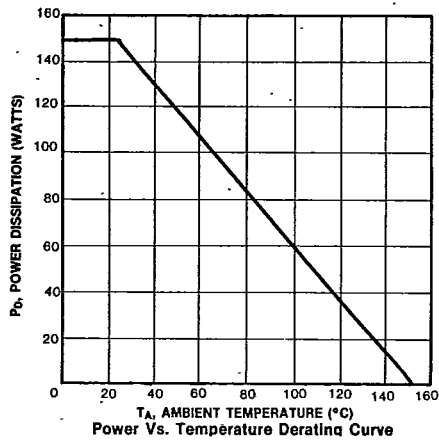
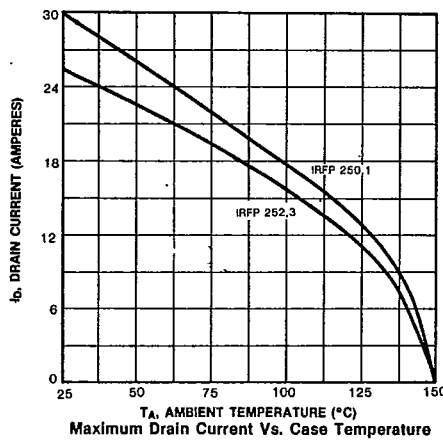
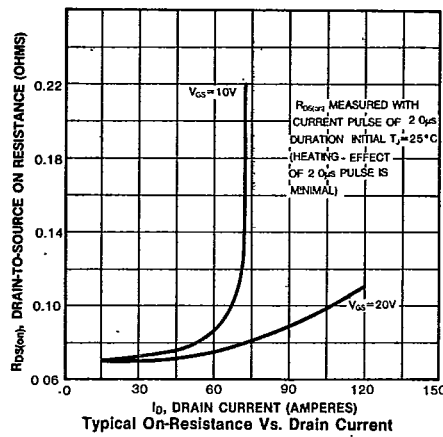
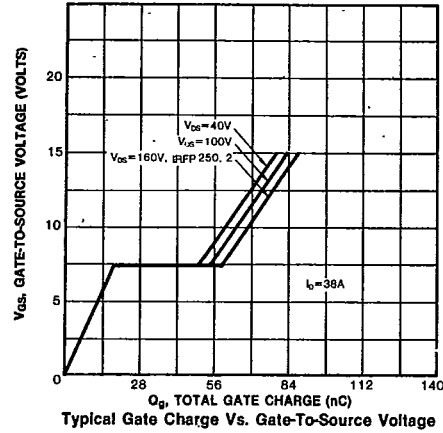
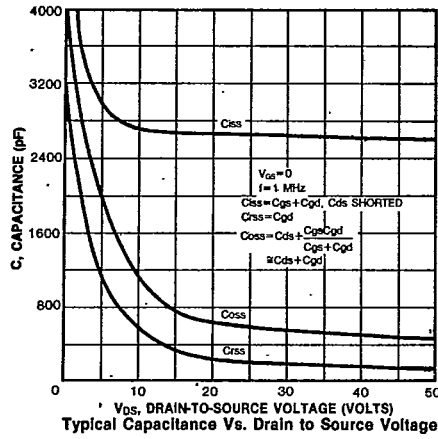
IRFP250/251/252/253



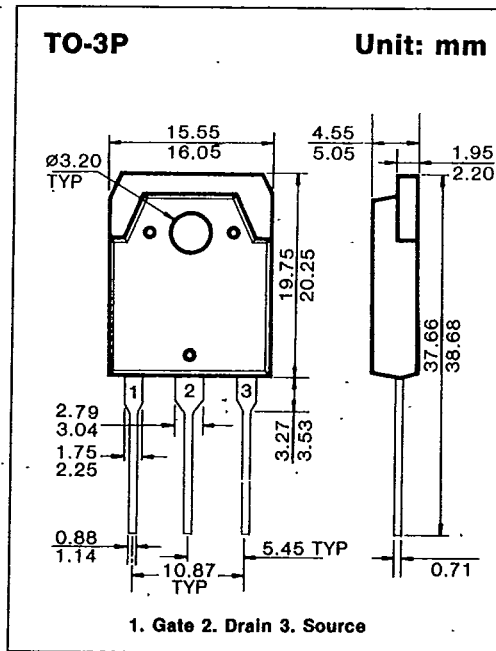
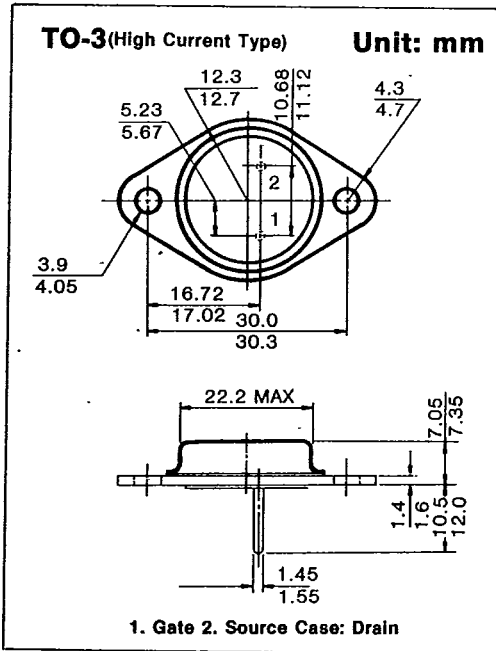
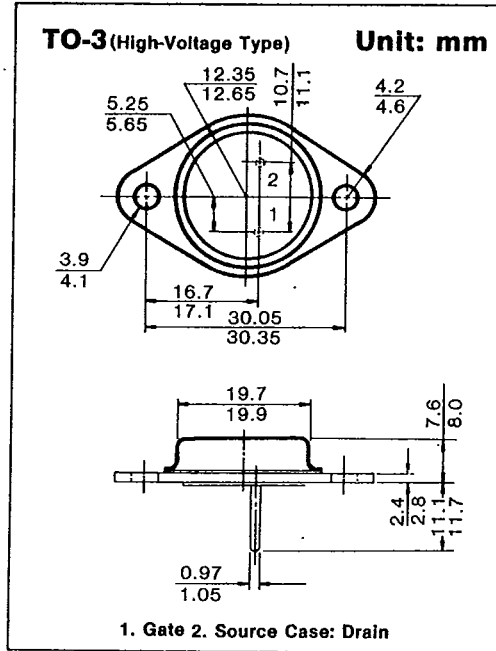
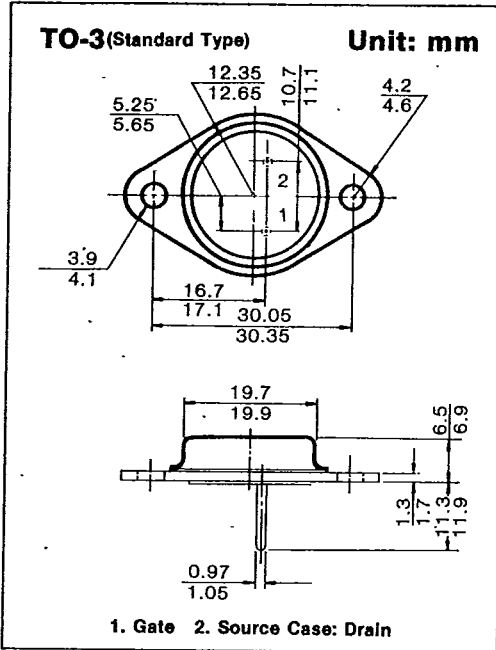
IRFP250/251/252/253

N-CHANNEL POWER MOSFETS

T-39-13



**PACKAGE DIMENSIONS**



### PACKAGE DIMENSIONS

